

1 hydraulic function

Technical Data

Model	Cap. kg	LCD mm	A mm	B mm	H mm	I mm	K mm	ISO	Md Δ -P = 125 bar Nm	Req. oil volume per rotation ltr.	V mm	CofG Z mm	Weight kg	Price €
0,8T351.2 ¹⁾	1.200	500	860	890	203	278	33	2	4.226	5,3	156	94	165	On request
0,8T351.2 ¹⁾	1.200	500	860	1.040	203	278	33	2	4.226	5,3	156	97	175	On request
1T351.1	1.800	500	560	780	213	478	33	2	6.013	7,6	155	78	166	On request
1T351.1	1.800	500	560	890	213	478	33	2	6.013	7,6	155	80	171	On request
1T351.2	1.800	500	780	780	211	287	31	2	6.013	7,6	190	108	172	On request
1T351.2	1.800	500	780	890	211	287	31	2	6.013	7,6	190	110	177	On request
2T351.1	2.500	500	790	1.040	269	457	33	2	7.700	9,7	166	90	225	On request
2T351.2	2.500	500	1.000	1.040	270	345	29	2	7.700	9,7	200	113	255	On request
2,5T351.1	3.200	500	790	1.100	269	492	33	3	7.700	9,7	176	98	290	On request
2,5T351.2	3.200	500	1.000	1.100	270	345	33	3	7.700	9,7	205	122	305	On request
4T351.2	5.000	500	1.010	1.100	339	395	33	3	8.950	11,3	213	122	380	On request
4,5T351.1	5.000	500	870	1.350	328	675	36	4	14.823	17,4	221	124	524	On request
5T351.2	6.000	600	1.260	1.350	345	455	40	4	13.434	15,7	264	156	655	On request
6T351.2	6.500	600	1.260	1.350	345	455	40	4	17.157	20,7	264	150	715	On request
8T351.2	8.000	900	1.300	1.600	396	485	40	4	21.679	18,8	304	172	1.045	On request

1) Fork carriage plate closed.

Rotator 0,8T351.2-SG available upon request.

Rotators with higher rotating speeds available upon request

Other fork carriage widths available upon request.

Lateral supporting fork 1.000 mm (add-on-price)

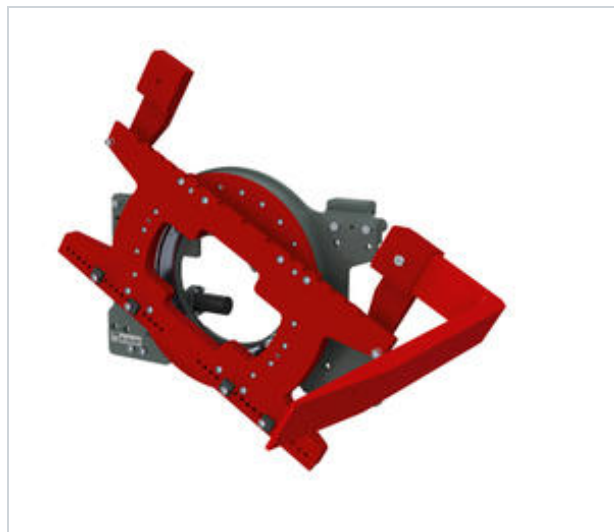
Lateral supporting fork 1.000 mm (add-on-price)

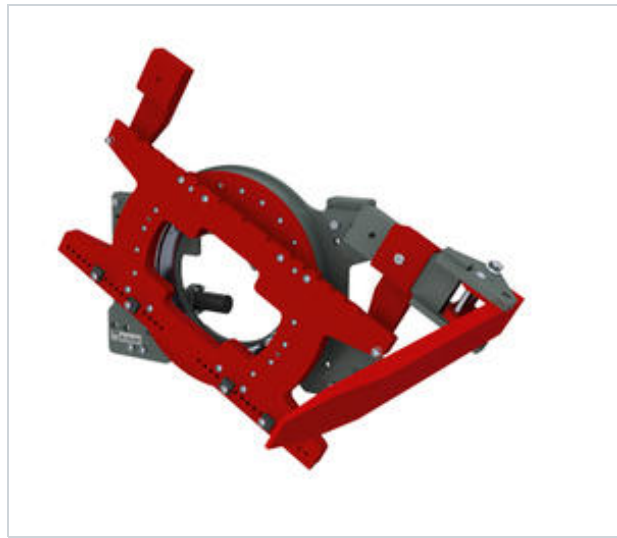
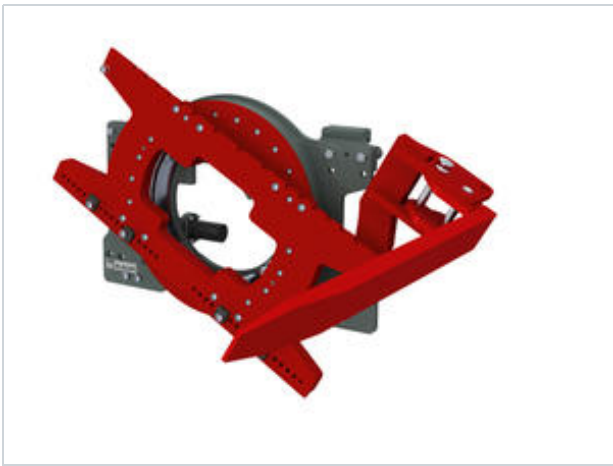
Downhold T167 to empty metal grid boxes etc on request

Matching forks for KAUP-Rotators on request.

When forks are used in combination with a Rotator extremely high strain is applied to the lower fork angle when rotating a load which in turn strains the lower brackets.

For this type of operation KAUP recommends forks with strengthened lower brackets. Strengthened lower brackets can be ordered for all ISO forks model T180.





Specification:

The KAUP Rotator 360° endless T351 is the entrance in the world of the rotating attachments.

According to application case and customer wish the gear can be positioned at two different places. Differing load loads and residual capacities are the results.

Qualities:

- Good visibility conditions
- Good residual capacity
- Rotation 360° endlessly
- Robust construction with gear drive
- Original forks usable
- Lateral supporting fork and load stabilizers optionally